

CV

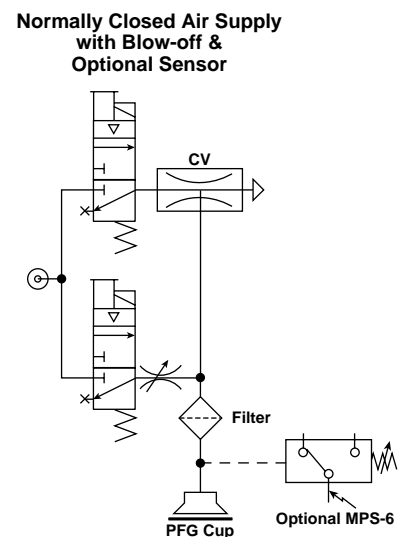
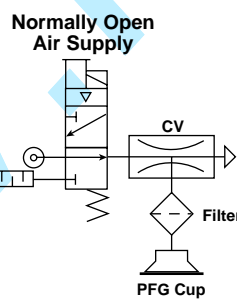
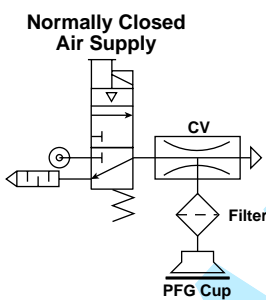


Features

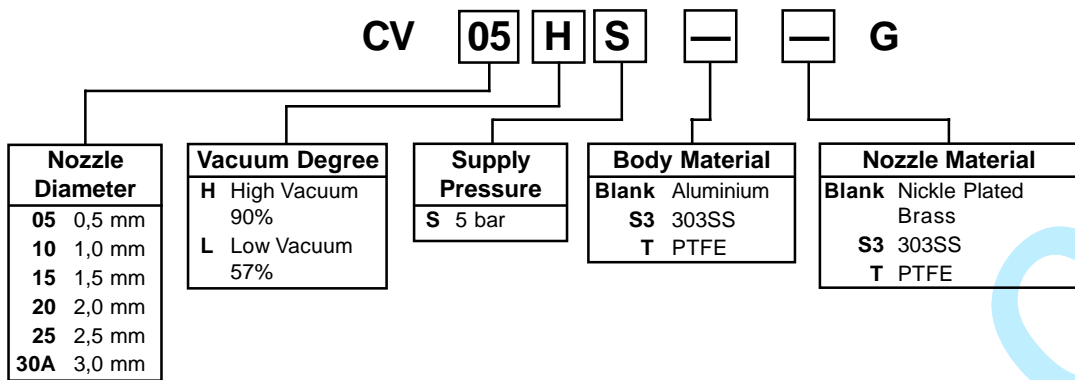
- Durable and Long Life
- Anodized Aluminium Body
- Vacuum Levels - 0,58 or - 0,92 bar
- Vacuum Flow Rates from 6 to 350 l/min
- 303 SS and PTFE Materials Available

Characteristics

The CV is CONVUM's original and most popular venturi. The basic CV unit is applicable to almost any application. The Aluminium / brass nozzle construction is durable and virtually maintenance free over the long life of the unit.



Model Number Index



Specifications

Media	Non-Lubricated Air, Non-Corrosive Gases
Operating Pressure	1 to 8 bar
Operating Temperature	0 to 50 °C
Material	Body: Aluminium, 303 Stainless, or PTFE Nozzle: Nickel plated brass, 303 Stainless, PTFE

Performance

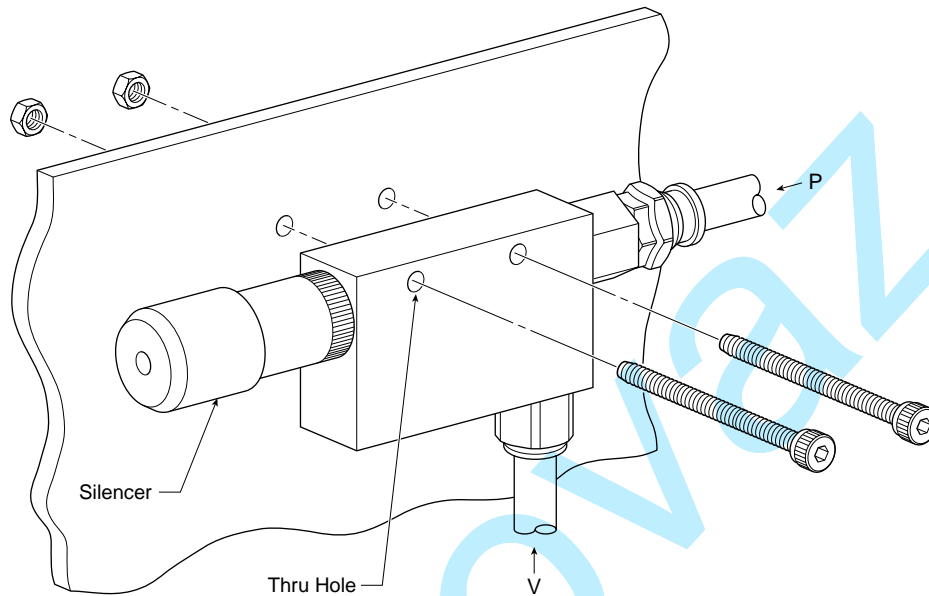
Item	Nozzle Diameter [mm]	Vacuum Degree at 5 bar [%]	Vacuum Flow [l/min]	Air Consumption [l/min]	Weight [g]
CV05HSG CV05LSG	0,5	86 57	6 9	13	80
CV10HSG CV10LSG	1,0	92 57	27 36	44	80
CV15HSG CV15LSG	1,5	92 57	63 95	100	140
CV20HSG CV20LSG	2,0	92 57	110 165	180	350
CV25HSG CV25LSG	2,5	92 57	160 250	265	728
CV30AHSG CV30ALSG	3,0	92 57	225 350	385	847

Evacuation Time

Series / Nozzle Diameter	Air Supply Pressure [bar]	Air Consumption [l/min]	Evacuation Time in sec / liter to reach different Vacuum Levels [%]								
			10	20	30	40	50	60	70	80	90
CV-05HS	5	13	0,86	2,03	3,59	5,68	8,18	10,80	15,33	21,16	—
CV-05LS	5	13	0,39	0,83	1,41	2,28	3,90	—	—	—	—
CV-10HS	5	44	0,17	0,35	0,58	0,88	1,27	1,82	2,74	4,16	8,00
CV-10LS	5	44	0,13	0,27	0,46	0,72	1,17	—	—	—	—
CV-15HS	5	100	0,09	0,17	0,26	0,39	0,55	0,78	1,13	1,65	3,97
CV-15LS	5	100	0,07	0,11	0,18	0,27	0,43	—	—	—	—
CV-20HS	5	180	0,06	0,10	0,16	0,23	0,32	0,46	0,67	0,97	2,15
CV-20LS	5	180	0,05	0,09	0,13	0,21	0,40	—	—	—	—
CV-25HS	5	265	0,05	0,08	0,12	0,16	0,23	0,32	0,46	0,67	1,25
CV-25LS	5	265	0,04	0,07	0,09	0,13	0,20	—	—	—	—
CV-30AHS	5	385	0,04	0,07	0,10	0,13	0,17	0,24	0,34	0,59	1,03
CV-30ALS	5	385	0,04	0,06	0,09	0,12	0,18	—	—	—	—

Replacement Components

Item	Model Number	Generator
Silencer	MSS-01	CV05HS/LSG CV10HS/LSG
Silencer	MSM-01	CV15HS/LSG
Silencer	MSL-02	CV20HS/LSG
Silencer	MS6-01	CV25HS/LSG CV30AHS/LSG



Installation

Secure CV unit. Silencers are included with the CV generator series. If a tube connector is selected by the user for the exhaust port as opposed to the silencer, plumb the exhaust to an appropriate collector.

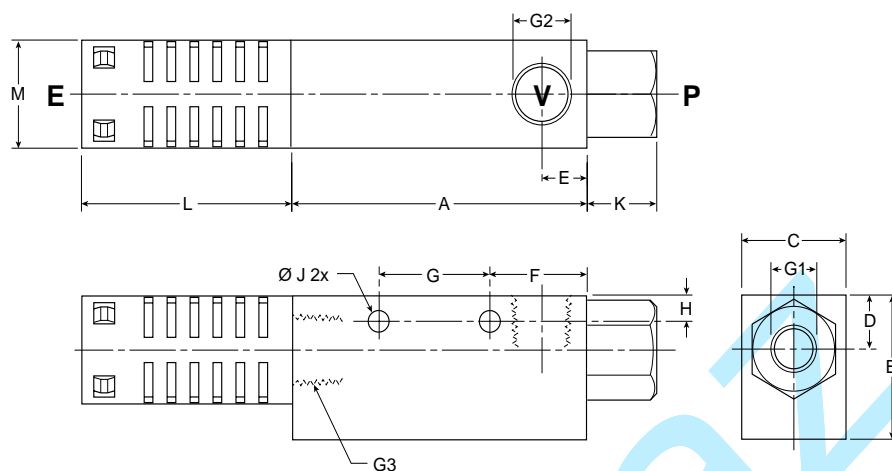
Cautions

Do not operate CV generators outside the temperature range and pressures listed in the specifications section of this catalog.

All normally closed valve supply circuits will interrupt the air supply to the venturi during a power failure or E-Stop condition. As a result, the product being transferred may be dropped, possibly creating a hazard to the surrounding environment. To avoid hazardous situations during a power loss or E-Stop condition, consider a normally open valve supply circuit or an E-Stop system.

It is always recommended to dedicate one suction cup to a single CV generator for the best response and maximize the vacuum level per individual cup. If more than one cup is used per generator, the vacuum level of the pick-and-place system may drop to an unsafe level if one of the pads separates from the product.

Dimensions



Note: Stainless Steel and PTFE CV units do not include silencer.

Item	A	B	C	D	E	F	G	H	J	K	L	M	G1	G2	G3
CV05HS/LSG	45	33	16	10	8	14	20	4,5	4,2	10	36	18,5	1/8 BSPP	1/8 BSPP	1/8 BSPP
CV10HS/LSG	45	33	16	10	8	14	20	4,5	4,2	10	36	18,5	1/8 BSPP	1/8 BSPP	1/8 BSPP
CV15HS/LSG	63	35	20	11	10	20	25	5	4,5	15	45,5	20	14 BSPP	1/4 BSPP	1/4 BSPP
CV20HS/LSG	85	40	30	15	13	28	32	7	6	20	60,5	30	1/4 BSPP	3/8 BSPP	1/2 BSPP
CV25HS/LSG	100	60	40	20	16	20	50	5,5	6	17	96	40	3/8 BSPP	1/2 BSPP	3/4 BSPP
CV30AHS/ALSG	118	60	40	20	20	33	50	5,5	6	20	96	40	1/2 BSPP	3/4 BSPP	3/4 BSPP

Millimeter