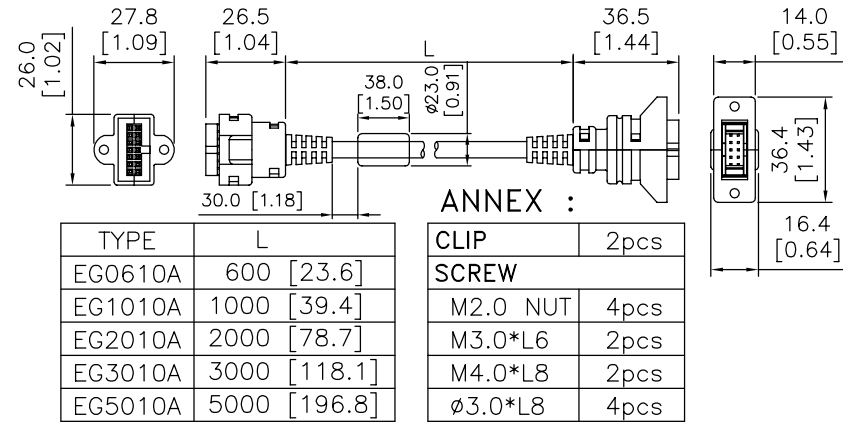
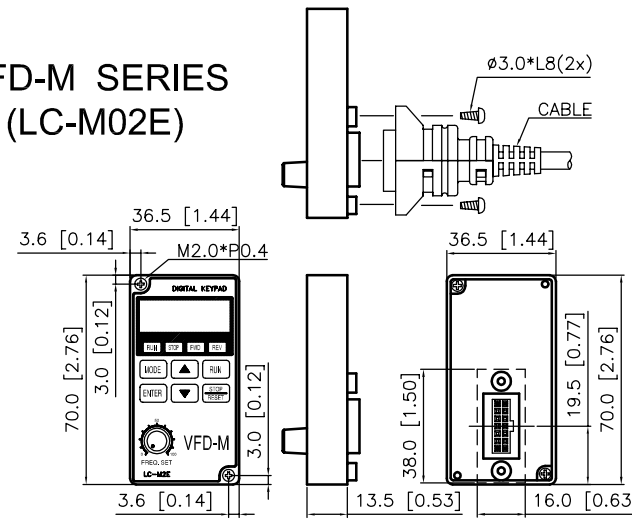


2.VFD-A / B / F / H / M SERIES
延長線組 EXTENSION CABLE



VFD-M SERIES
(LC-M02E)

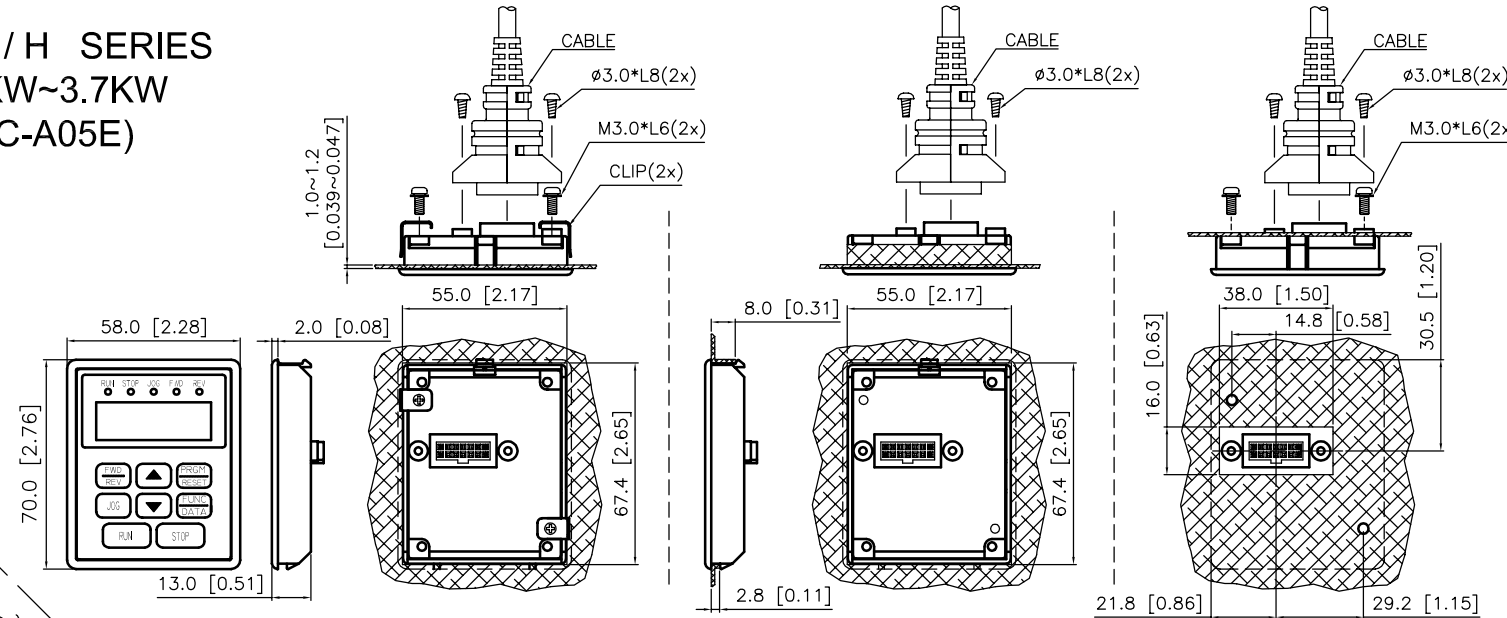


VFD-A / B / F / H / L / M / S / V SERIES
數位操作器延長線組及組立圖
KEYPAD EXTENSION CABLE
& ASSEMBLY FIGURE

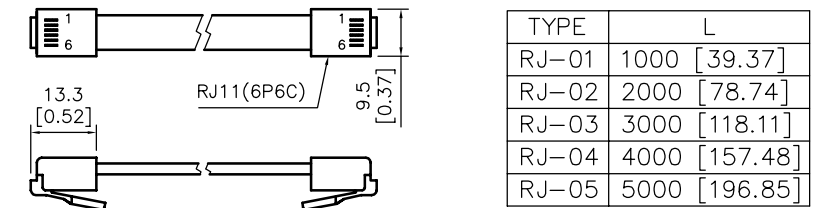
UNIT : mm [inch]

- (1). 夾片嵌入式 CLIPPED TYPE
(2). 折邊嵌入式 FOLDING INSERTED TYPE
(3). 壁掛式 HANGED TYPE

VFD-A / H SERIES
0.75KW~3.7KW
(LC-A05E)

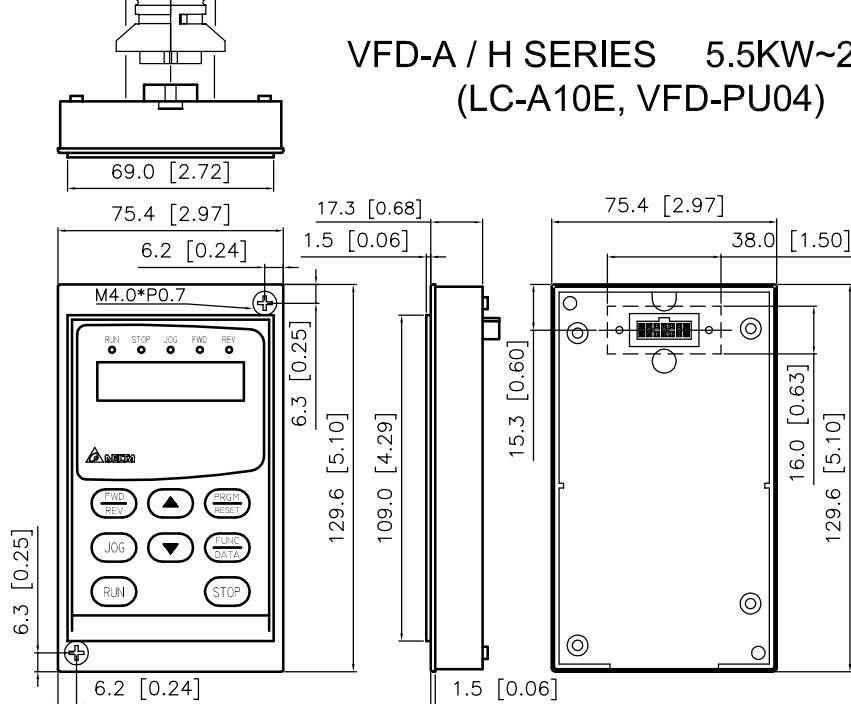


1. VFD-PU02L FOR VFD-L SERIES
VFD-PU06 FOR VFD-B / F / M / S SERIES
VFD-PU05 FOR VFD-V SERIES

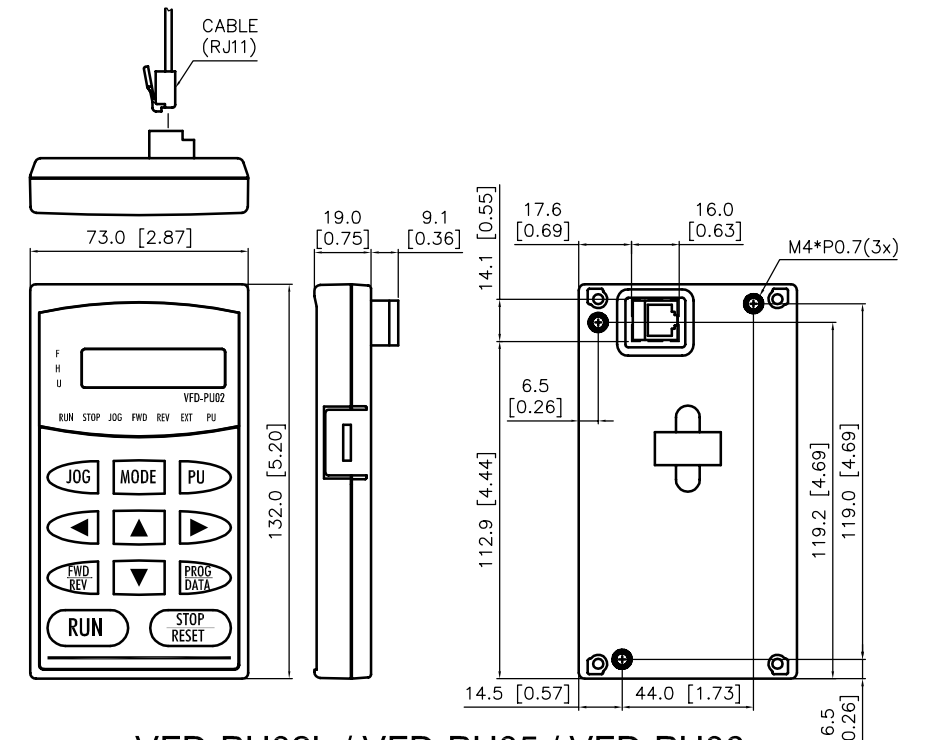
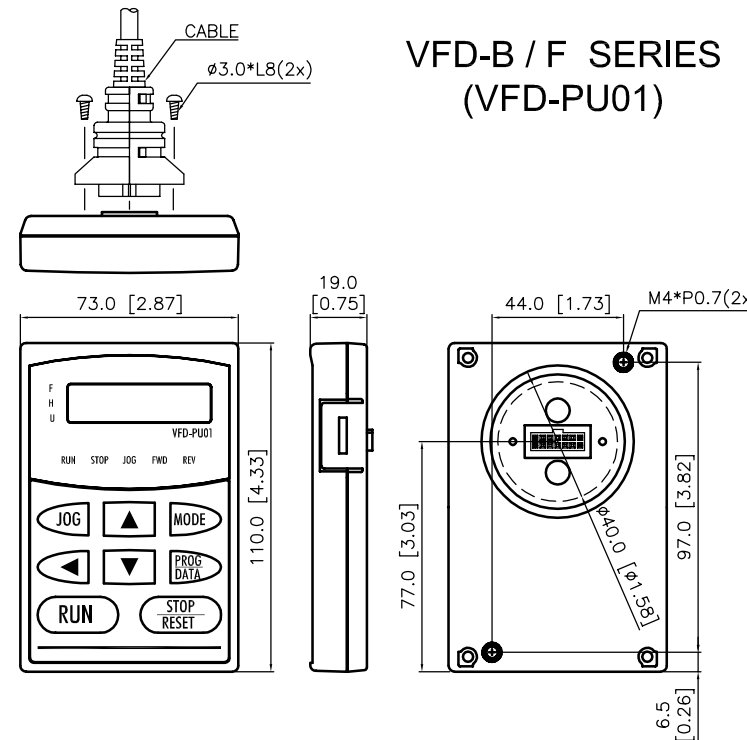


延長線組 EXTENSION CABLE

VFD-A / H SERIES 5.5KW~22KW
(LC-A10E, VFD-PU04)



VFD-B / F SERIES
(VFD-PU01)



VFD-PU02L / VFD-PU05 / VFD-PU06